

"4G LTE Raspberry Pi HAT with SIM7600"

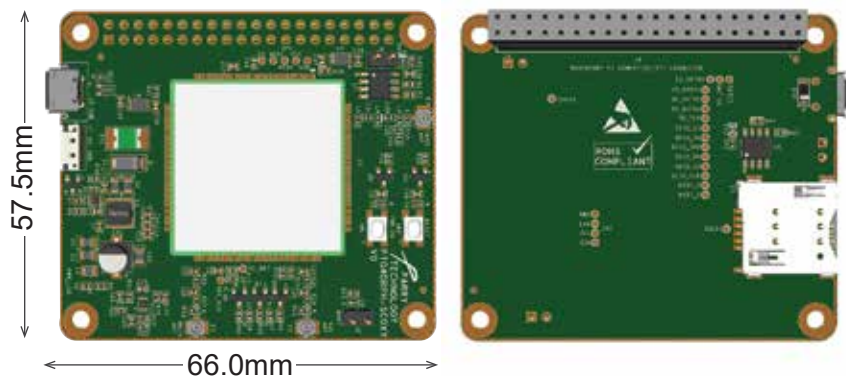


supports Multi-Band
4G/3G/2G communication
at LTE-CAT1 or LTE-CAT4

speeds and GNSS positioning. This product is designed to be directly pluggable with Raspberry Pi board along with HAT ID EEPROM, enabling it to be used for 4G LTE data connectivity applications such as IoT and vehicle navigation. Both USB and UART communication interfaces are available for the Raspberry Pi to interact with the SIM7600 module on board.

Features

- Raspberry Pi HAT supports Worldwide 4G/3G/2G communication coverage. Supports VoLTE.
- Supports mail, TCP/ IP/ IPV4/ V6 Multi-PDP, MT PDP, and FTP/ FTPS/ HTTP /HTTPS /DNS.
- USB, UART data communication interfaces available to interface with Raspberry Pi.
- Raspberry Pi HAT I/O controlled module power supply ON/OFF.
- Level translated I/O is available for controlling SIM7600 module ON/OFF, Reset, Flight mode etc.,
- Input over voltage, over current protection and all external interface signals are protected from ESD.
- Carefully designed RF layout for better RF connectivity, Thermal and lower power consumption.
- LTE, GNSS Antenna matching circuits for dual bands to achieve proper antenna impedance matching.



4G LTE RASPBERRY PI HAT WITH SIM7600

Worldwide 4G/3G/2G communication coverage. Supports VoLTE.

Supports CAT1/CAT4 speeds.

Supports GPS, BeiDou, GLONASS, LBS base station positioning.

Supports mail, TCP/ IP/ IPV4/ V6 Multi-PDP, MT PDP, and FTP/ FTPS/ HTTP /HTTPS /DNS.

Operating voltage of $5V \pm 5\%$ and can be powered by Raspberry Pi USB.

Operating temperature: -20°C to $+85^{\circ}\text{C}$.

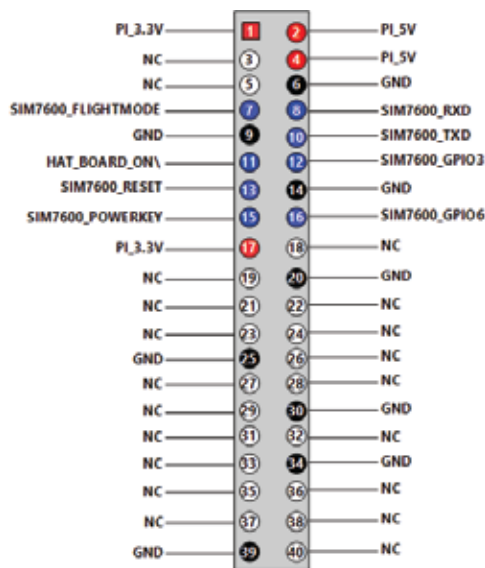
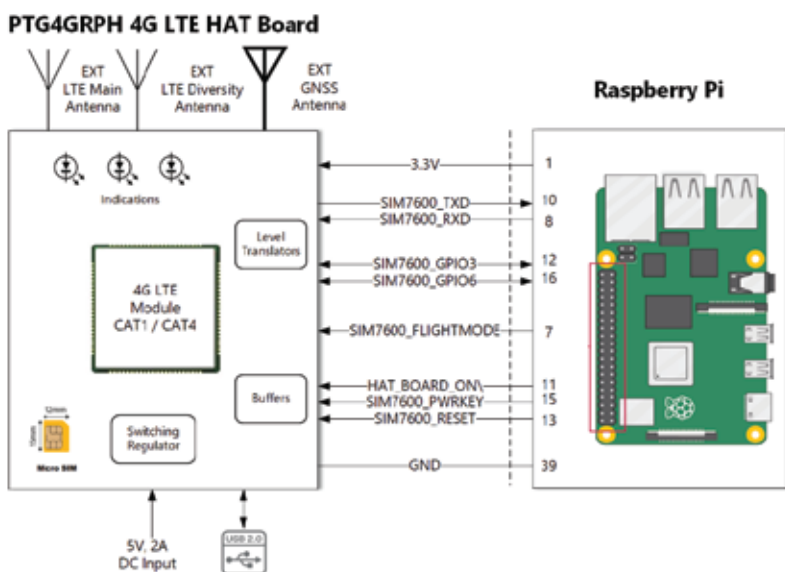
Firmware update via USB/FOTA.

Applications

Industrial Internet of Things, Home automation, Building automation, Security, and surveillance, Asset tracking, Vehicle tracking, Telemedicine, Cold storage, machine monitoring systems, Industrial and Home Gateways

Raspberry Pi is a trademark of the Raspberry Pi Foundation

Block Diagram



Purchase Note

Parry Technology 4G LTE BOB is tested with Raspberry Pi 3 and 4.

For applications where internal antenna is used (Flexi antenna), antenna impedance matching services with casing is available at additional charges.

For details write to estore-enquiry@parrytech.net

Benefits

- + Raspberry Pi HAT is Four-layer PCB for good RF performance.
- Easy to manually solder on to the base board.
- + Components provision for 50-ohm impedance matching of antenna.

Product Ordering Guide

Part number : **PTG4GRPH-SC000V0**

About Parry Technology

Engineering/System integration services:

Our engineering services ranges from early engagement with customers to understand the system needs, convert the needs into requirements, finalize on the right technology implementation, circuit design, simulations, PCB development & testing, characterization, final qualifications, documentations at all stages and assistance on the product manufacturing and deployment.

Total Solutions:

Products, platforms, and cloud solutions for end-to-end IoT deployments.

Estore:

Ready to use subsystem modules/products for you to quickly test, develop Internet of Things (IoT) applications.

